

Armstrong® TECH ZONE CEILING SYSTEM

Flexible Sprinkler Connection



**Sprinkler compatible
with Armstrong® TECH ZONE**

RAPIDROP® FLEXIBLE SPRINKLER CONNECTION FOR WET PIPE SPRINKLER SYSTEMS

Description

The unique Rapidrop® system easily positions the sprinkler in the centre of the ceiling tile at the correct height and can be installed in 10 to 15 minutes. The concept is very simple and breathtakingly efficient.

Rapidrop® is a complete unit, a corrugated stainless steel flexible with nipple, reducer, bar and brackets, which are fitted to the ceiling tile support rails to locate and secure the sprinkler in the correct position. As well as considerably reduced installation time, the risk of mess (from the cutting and threading activity associated with the traditional armover method) in the clean area below the suspended ceiling is eliminated, allowing other activities to proceed more efficiently.

Pressure rating

Max. Service Pressure	LPCB 16 Bar UL 12 Bar
Inlet	R1 or R1.1/4 or 1"NPT
Outlet	A = Rc1/2 or 1/2"NPT B = Rc3/4 or 3/4"NPT C = R1 (External Thread)

Standard Lengths

Product	Equivalent Pipe Length		
	Length	Schedule 40	BS EN 10255
Rapidrop® SP-1AS	0.70m	4.7m	5.1m
Rapidrop® SP-1A	0.78m	5.5m	6.0m
Rapidrop® SP-2AS	1.00m	7.8m	8.5m
Rapidrop® SP-2A	1.22m	10.1m	11.0m
Rapidrop® SP-3A	1.54m	13.1m	14.2m
Rapidrop® SP-4A	1.88m	16.8m	18.2m
Rapidrop® SP-5A	2.54m	23.2m	25.2m
Rapidrop® SP-6A	3.22m	29.9m	32.5m



Armstrong® TECH ZONE CEILING SYSTEM

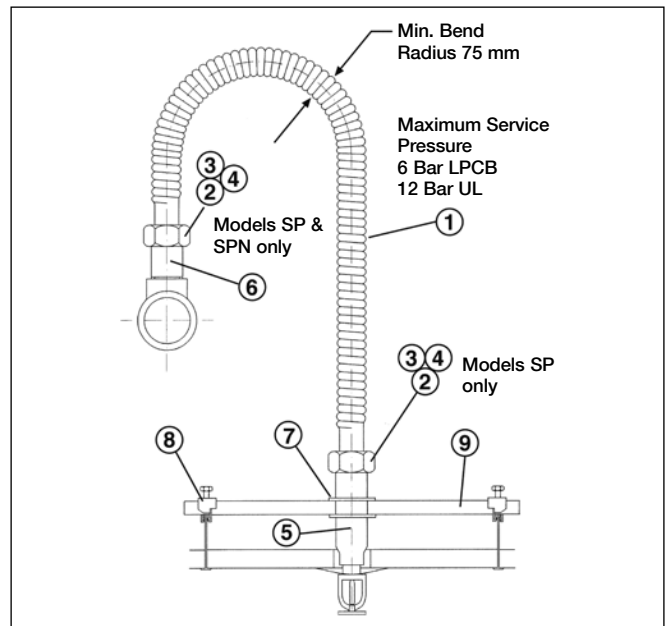
Flexible Sprinkler Connection

Material Specification

REF		MODEL SPN		MODEL SPN		MODEL SPN	
No.	Description	Qty	Material	Qty	Material	Qty	Material
1	Flexible	1	AISI 304	1	AISI 304	1	AISI 304
2	Nut	2	SS400 Zinc Plated	1	AISI 304	Nil	Not Applicable
3	Isolation Ring	2	Nylon 66	1	AISI 304	Nil	Not Applicable
4	Packing (Seal)	2	NBR	1	AISI 304	Nil	Not Applicable
5	Reducer	1	Carbon Steel Zinc Plated	1	AISI 304	1	ASIM IP304
6	Nipple	1	Carbon Steel Zinc Plated	1	AISI 304	1	ASIM IP304
7	Bracket A	1	Mild Steel Zinc Plated	1	Mild Steel Zinc Plated	1	Mild Steel Zinc Plated
8	Bracket B	2	Mild Steel Zinc Plated	2	Mild Steel Zinc Plated	2	Mild Steel Zinc Plated
9	Square Bar	1	Mild Steel Zinc Plated	1	Mild Steel Zinc Plated	1	Mild Steel Zinc Plated

Benefits

- Save Time
- Save Labour
- Save Money
- No Measuring
- No Cutting
- No Threading
- No Oil
- No Grease
- No Welding
- No Mess - Clean
- Ideal for Retrofit Applications
- Easy to move for layout changes



Rapidrop Limited
 Rutland Business Park
 Newark Road
 Peterborough
 PE1 5WA
 United Kingdom
 Registered in England No.4936424
Phone +44(0)1733 370444
Fax +44(0)1733 553958

Rapidrop Middle East LLC
 POB-232031
 Dubai
 UAE
Tel. +97148856671
Fax +97148856672
www.rapidrop.com/armstrongtechzone

Armstrong World Industries Ltd.
 Building Products Division
 Armstrong House, 38 Market Square,
 Uxbridge UB8 1NG
0800 371849 (UK) **FREEPHONE**
1800 409002 (ROI)
Fax 00 44 (0) 1895 274287
sales-support@armstrong.com
www.armstrong-ceilings.co.uk/techzone
www.armstrong-ceilings.ie

Dubai | United Arab Emirates
 Armstrong Building Products L.L.C.
 P.O. Box 73831
 Phone: +971 43 397 099
 Fax: +971 43 397 088
www.armstrong.eu

